

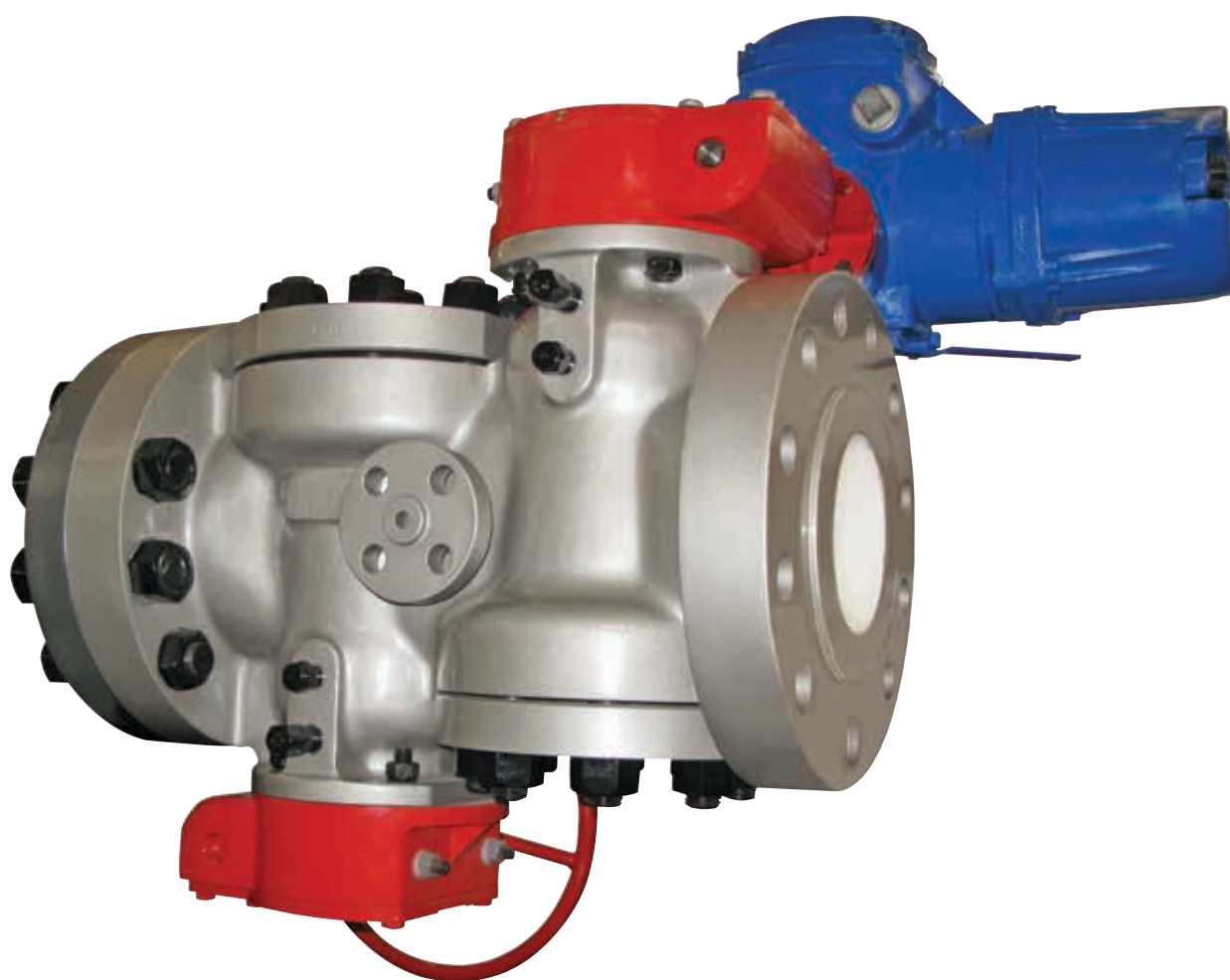


TECHNICAL BULLETIN

Serck Audco

DIPV - Double Isolation Plug Valve

FCD SRENTB0001-04-A4 02/17





Contents

Introduction	3
Design Features	4-8
Typical Installations	9-10
Figure Numbering / Standards	11
Pressure Testing	12
Materials	13
Engineered Solutions	14
Valve Data	15-22
Sealants	23-24
Sealants Injection Equipment	25
Products of Success	26

Introduction - DIPV Double Isolation Plug Valve

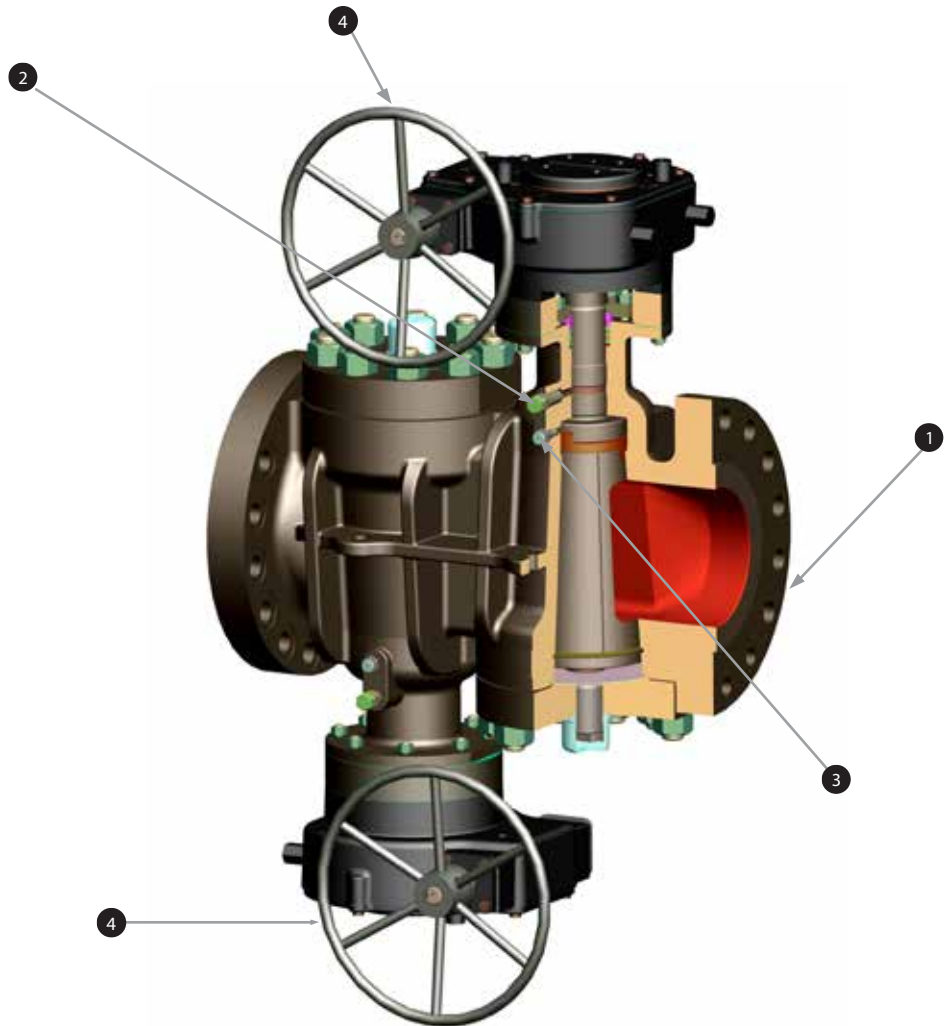
Based on Serck Audco Super-H pressure balanced taper plug technology, Double Isolation Plug Valve offers true bubble tight double block and bleed, within a single valve body.

The oil and gas industry is no longer satisfied with the shut-off provided by conventional double block and bleed ball, gate or plug valves. True double block has become a prime requirement as safety standards are raised throughout the industry, especially where it is necessary for an operator to work downstream (or upstream) of the valve.

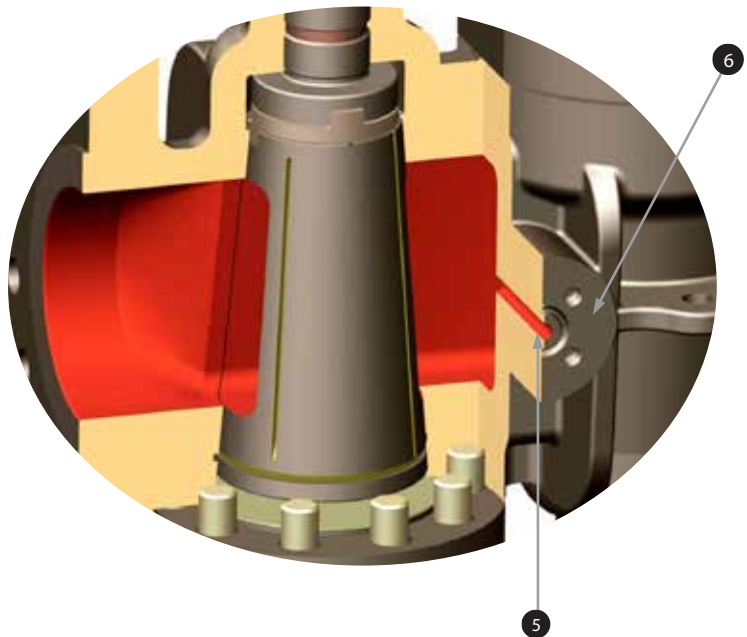
A further advantage of true double isolation (where the first plug gives complete isolation), is that the bleed point can be used to verify that no contamination has occurred when more than one type of line medium has passed down the pipeline.

The Serck Audco Super-H plug valve is widely acknowledged in the oil and gas industry for its superior shut-off at high differential pressures together with excellent reliability and durability. This same design is used in the Serck Audco Double Isolation Plug Valve.

DIPV Design Features



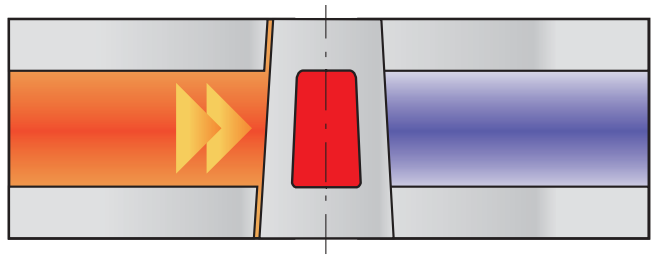
- ① Same face-to-face as one valve.
- ② In-line emergency stem sealing.
- ③ In-line sealant injection point.
- ④ Choice of mounting positions for actuators and handwheels.
- ⑤ Bleed port.
- ⑥ Bleed valve flange interface.



What are the benefits?

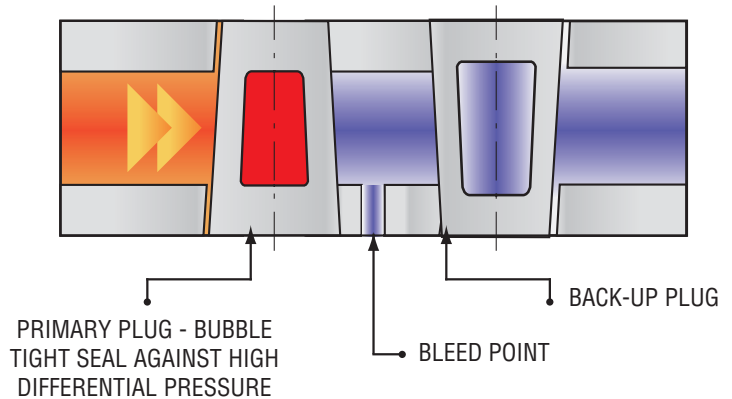
- Same face-to-face of a single valve.
- No pipework modification - total interchangeability with existing valves.
- Choice of bleed connection options.
- Same range as single valve including hard facing.
- Meets the same industry and fire-test standards as a single valve.
- Low life cycle cost - less than two single valves.
- Assured sealing on both sides of the valve.
- Reduced leak paths - eliminates inter-valve pipework on double block and bleed configurations.
- Compact, lightweight alternative to gate valves and ball valves in series.

Single Plug - Single Isolation



Double Plug - Double Isolation

Independently operated plugs mean maximum downstream isolation safety.



Range

API 6D Dimensions	in	½	¾	1	1½	1 ¹³ / ₁₆	2	3	4	6	8	10	12	14	16	18	20	24
	mm	15	20	25	40	?	50	80	100	150	200	250	300	350	400	450	500	600
PN20 - ANSI 150		•	•	•	•	•	•	•	•	•	•	•	•	•	•	•	•	•
PN50 - ANSI 300		•	•	•	•	•	•	•	•	•	•	•	•	•	•	•	•	•
PN100 - ANSI 600		•	•	•	•	•	•	•	•	•	•	•	•	•	•	•	•	•
PN150 - ANSI 900		•	•	•	•	•	•	•	•	•	•	•	•	•	•	•	•	•
PN250 - ANSI 1500		•	•	•	•	•	•	•	•	•	•	•	•	•	•	•	•	•
PN420 - ANSI 2500		•	•	•	•	•	•	•	•	•	•	•	•	•	•			
API 2000						•	•	•	•	•								
API 3000						•	•	•	•	•								
API 5000						•	•	•	•	•								
API 10000						•	•	•	•	•								
API 15000						•	•	•	•	•								
API 6A Dimensions	in						2 ¹ / ₁₆	3 ¹ / ₈	4 ¹ / ₁₆	7 ¹ / ₁₆								
	mm						52	78	103	179								

Why Select a Plug Valve?

Robust **metal-to-metal seats** cope well with the solid impurities that can run at high velocities in close proximity to the integral seating surfaces, particularly when the valve is opened against a high differential pressure. (Fig. 5)



Fig.5

Robust metal-to-metal seats have also high resistance to solids objects and **lack of gap/cavity** between plug and body ensure that particles do not become trapped between plug and body thus avoiding damage to the seats while closing the valve. (Fig. 6)



Fig.6

Large seating area further enhances the DIPV resistance to erosion. The wide area maximizes the effectiveness of sealant, so that if the valve starts passing it can quickly be solved by injecting Serck Audco Sealant, restoring the valve's **bubble tight shut-off** capabilities without the need of valve overhaul. Sealant can be injected with the valve in any position and also under pressure, making the valve **in-line maintainable**. (Fig. 7)

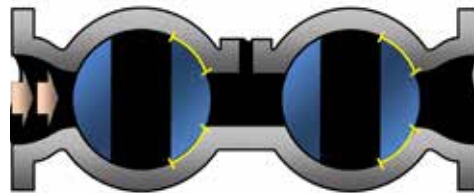


Fig.7

When the valve is open, unlike in other valve designs, the **seats are well protected** from the line media. This ensures that even if the valve is left open for long periods of time, its seating areas will not get damaged, thus ensuring good sealing and **long valve life**. (Fig. 8)

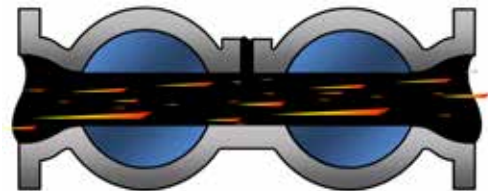
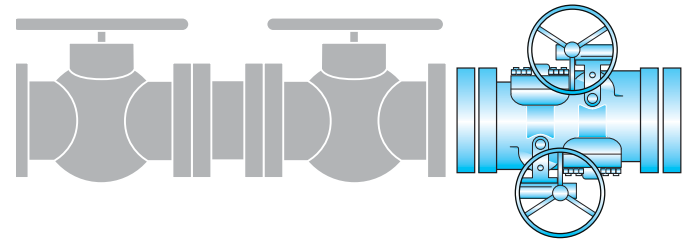


Fig.8

Proven plug valve integrity - setting new standards for double block and bleed

True double isolation within a single valve body

	<p>Compared with Gate Valves</p> <ul style="list-style-type: none"> Same face-to-face but smaller overall Compact design means less weight
---	---

	<p>Compared with Ball Valves</p> <ul style="list-style-type: none"> One DIPV replaces two ball valves Less interconnecting pipework means fewer leak paths Weight saving Cost saving
---	--

Main Features

Principles of Operation

Serck Audco Double Isolation Plug Valves feature two separate Protected Pressure Balanced Taper Plugs and a centrally located bleed port, integral with the body. They are designed to give bubble tight shut off on both high and low pressure applications. This is a robust, In-Line Maintainable valve with low maintenance requirements. The valve body is a rigid single piece casting. The blow out proof valve stems are fugitive emissions tested. The separate plugs are retained in the body by separate bolted covers. The design incorporates provision for external maintenance of the individual stem packings.

Plug Balancing

All DIPV valves are protected against the possibility of seizure due to taper locking. Taper locking is caused by an imbalance of forces acting on the plug due to line pressure finding its way into the large end of the plug chamber. As shown by the arrows in Fig. 1, the resultant force tends to push the plug upwards, jamming it in its tapered bore. The plug can remain locked even when line pressure is subsequently reduced.

In an attempt to combat taper locking, conventional valves utilise the pressure of the plug sealant, acting on the upper face of the plug, to react against the upwards force. This reduces, but does not eliminate, the possibility of taper locking - and requires regular sealant injection to maintain valve freedom.

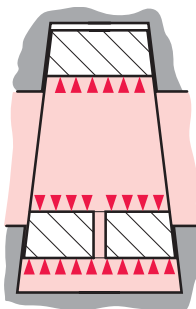


Fig.1

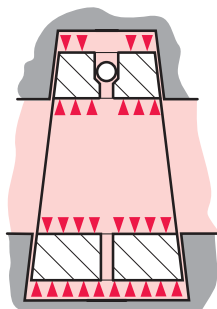


Fig.2

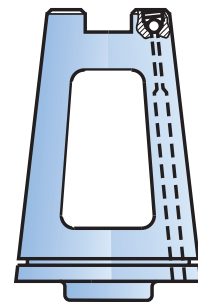


Fig.3

Pressure Balancing

Pressure balanced plug valves incorporate pressure balanced plugs, as shown in Fig. 2. The drilling and check valve in the top section of the plug allow the line pressure itself to counteract the upwards force, preventing any possibility of taper locking - without the need for frequent sealant injection.

Super-LoMu Treatment

Super LoMu is our proprietary PTFE based anti-friction treatment. All DIPV plugs and stems are Super Lomu treated to ensure our valves have the lowest possible torques over the longest possible lifetime. Super LoMu is a treatment of the metal surface that reduces coefficient of friction while maintaining a true metal-to-metal contact, and we can apply it to every material combination.

Protected Pressure Balancing (P)

Flowserve Patent

For increased reliability in service where there is a possibility of foreign particles in the media, we can incorporate as an option, the protected pressure balance system (Fig. 3). This design ensures that the balancing holes are not exposed to the line media in the plug port, providing added security compared with normal pressure balancing.

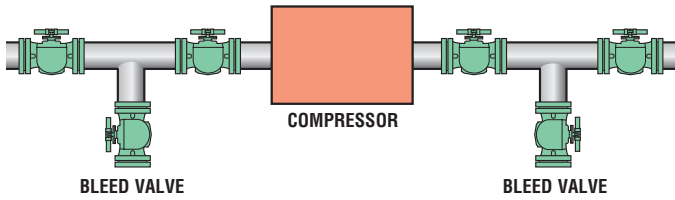
Emission Control

Industry standards are tightening the requirements on emissions levels permitted from pressurized equipment. DIPV valves are ahead of the game and are designed and tested to meet the most stringent fugitive emission requirements. Our adjustable gland design, combined with high performance graphite stem packing materials, ensures low emissions over extensive temperature and mechanical cycling, even without the use of O-rings or PTFE seals.

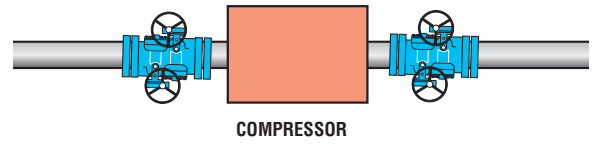
Typical Installations

Gas Transportation - Gas Compression Station

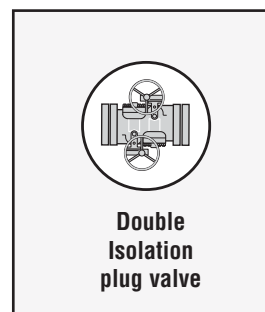
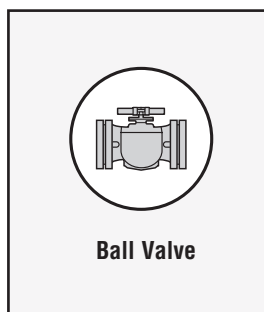
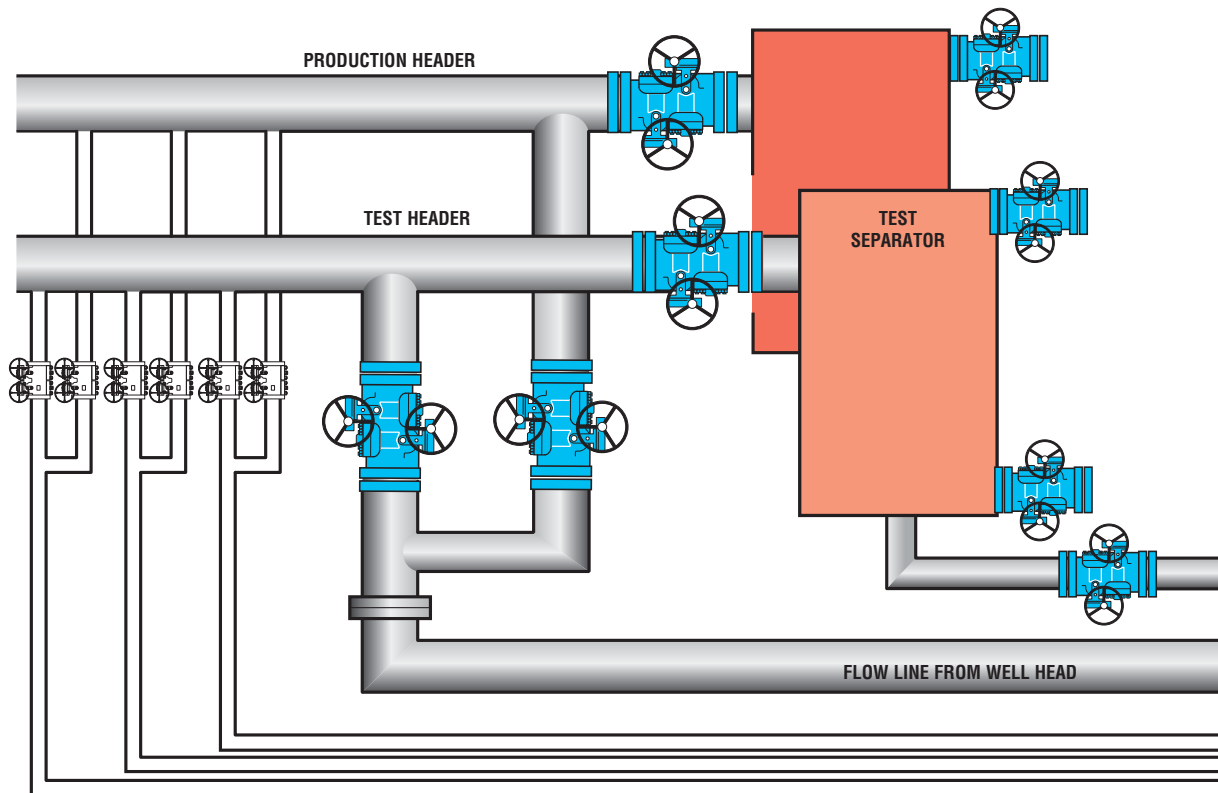
Configuration using ball valves

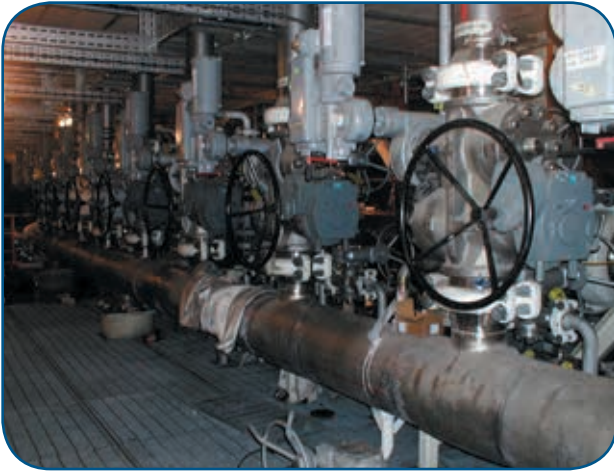


Configuration using double isolation plug valves



Oil and Gas Production - Well Heads Manifold





The valves illustrated are 8" class 1500 Double Isolation Plug Valves in 25% Cr. Duplex with hub ends. The valves are installed on a flowline header application. In this case one isolation is by electric actuator and the other isolation is by gear operator. Criteria for selection: true bubble tight isolation and space and weight saving over conventional ball or gate valves and minimum maintenance.

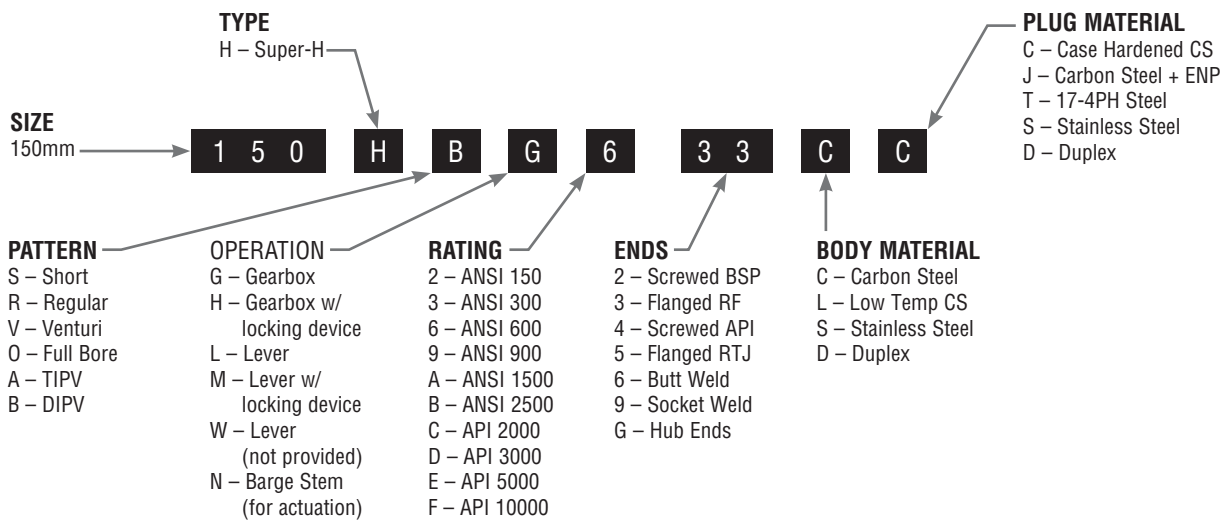


The valves illustrated are 4" class 300 flanged in Carbon Steel and Stainless Steel. The application is on a fuel skid and both plugs on each valve are lever operated. Criteria for selection: double block and bleed with true bubble tight isolation for reasons of safety, reliability and minimum maintenance.

Figure Numbering

A familiarity with our figure numbering system is not necessary when specifying or ordering our valves. Providing a full description of the valve is given, our sales office will translate this into a figure number. A full description of the valve begins with 'DIPV Pressure Balanced Valve', and gives size, pressure rating, flanging details, materials of construction, application and every customer datasheet or specification available.

We give an example below with the most common coding in order to illustrate a typical figure number:



Standards and Quality Assurance

DIPV valves meet the requirements of API 6D, API 599, BS5353 and ANSI B16.34 as standard. Valves to meet API 6A are also available. Typical industry standards that we are often asked to comply with are listed in the below table. Other standards can be considered against specific request.

API 6D (ISO 14313)	Specification for pipeline valves
API 6A (ISO 10423)	Specification for wellhead equipment
API 599	Metal plug valves – flanged, threaded and welding ends
BS 5353	Specification for steel plug valves
ASME B16.34	Valves – flanged, threaded and welding ends
BS EN14141	Valves for natural gas transportation in pipelines. Performance requirements and tests
ISO 15848-1/2	Industrial valves. Measurement, test and qualification procedures for fugitive emissions
ASME B16.10	Face-to-face and end-to-end dimensions of valves
BS EN 12627 BS EN 558 (formerly BS 2080)	Face-to-face, center-to-face, end-to-end, and center-to-end dimensions of flanged and butt welding end steel valves for the petroleum, petrochemical and allied industries
ASME B16.5	Pipe flanges and flanged fittings
BS EN 12266-1 BS EN 12266-2 API 598	Industrial valves. Testing of valves. Pressure tests, test procedures and acceptance criteria.
ISO 10497	Testing of valves. Fire type-testing requirements
API 6FA	Specification for fire test for valves
BS EN ISO 15156 (formerly NACE MR0175)	Sulphide stress cracking resistant metallic material for oilfield equipment
BS EN ISO 9001	Quality assurance approval standard
97/23/EC	Pressure equipment directive

Pressure Testing

All DIPV valves are hydrostatically tested on body and all 4 seats (2 seats per plug) at the following pressures before dispatch:

Valve Rating	Maximum C.W.P.		Body Test		Seat Test	
	Barg	Psig	Barg	Psig	Barg	Psig
PN20 - ANSI 150	19.5	285	29.3	427.5	21.5	313.5
PN50 - ANSI 300	51.1	740	76.7	1110	56.3	814
PN100 - ANSI 600	102.1	1480	153.2	2220	112.4	1628
ANSI 800	138	2000	207	3000	151.8	2200
PN150 - ANSI 900	153.2	2220	229.8	3330	168.6	2442
PN250 - ANSI 1500	255.3	3705	383	5558	280.9	4075.5
PN420 - ANSI 2500	425.5	6170	638.3	9255	468.1	6787
API 2000	138	2000	276	4000	138	2000
API 3000	207	3000	414	6000	207	3000
API 5000	345	5000	517	7500	345	5000
API 10000	690	10000	1035	15000	690	10000

(Class 800 pressures are taken from BS 5353, API pressures are taken from API 6A, all other pressures are taken from ANSI 16.34. The test pressures from ASME B16.34 are those relevant to Carbon Steel ASTM A216 Gr.WCB)

Even though API6D generally allows a seat leakage rate while testing metal seated valves, it should be noted that for lubricated plug valves (such as the DIPV) in accordance with API6D no seat leakage is allowed (ISO 5208 class A).

Each relevant standard defines the minimum length of time for which each test pressure is to be maintained and also the testing operations sequence. DIPV valves are tested as a minimum to API 6D, whose test durations are longer than API 598 and BS EN 12266-1.

Valve Size		API 6D	
Mm	In	Shell Test (min)	Seat Test (min)
≤ 50	≤ 2	2	2
65 – 100	2 ½ - 4	2	2
150	6	5	5
200 – 250	8 – 80	5	5
300	12	15	5
350 – 450	14 – 18	15	5
≥ 500	≥ 20	30	5

Other test durations can be accommodated to satisfy a particular order specification, optional special tests are also available such as:

- Low pressure air test
- High pressure gas test
- Fugitive emission testing
- Low and high temperature testing

Materials

Serck Audco Valves has extensive experience in manufacturing our DIPV in a wide range of materials to comply with any particular application or project specification. Below are few samples of the most common material combinations:

Service	Body / Cover	Plug	Stem / Eq Ring	Cover Bolting
Sweet Natural Gas and most non-aggressive services	Carbon Steel ASTM A216 WCB/WCC	ASTM A216WCB/WCC + Case Hardening	Alloy Steel ASTM A322 4140	ASTM A193 B7 + ASTM A194 2H (B7M/2HM if NACE bolting is required)
Sour Services (ISO 15156 – NACE)		ASTM A216WCB/WCC + ENP		
Abrasive Services		17-4PH Martensitic Stainless Steel ASTM A747 Gr. Cb7Cu1	17-4PH Martensitic Stainless Steel ASTM A564 Ty 630	
API 6A	60K Carbon Steel ASTM A487 Gr 4	ASTM A747 Gr. Cb7Cu1	ASTM A564 Ty 630	
Low Temperature Services	Low Temp. Carbon Steel ASTM A352 LCB/LCC	ASTM A352 LCB/LCC + ENP	ASTM A322 4140	ASTM 320 L7 + ASTM A194 7
Corrosive Services	Austenitic Stainless Steel ASTM A351 CF3M/CF8M	ASTM A351 CF3M/CF8M + ENP	ASTM A564 Ty 630	ASTM A193 B8M + ASTM A194 8M
Corrosive and Abrasive Services	Duplex / Super Duplex Stainless Steel ASTM A995 4A/5A	ASTM A995 4A/5A + ENP	ASTM A182 F51/F55	UNS S32760
Highly Corrosive Services	ASTM A216 WCB/WCC + Inconel 625 Overlay	ASTM A216 WCB/WCC + Inconel 625 Overlay + ENP	Inconel 718	ASTM A193 B7 + ASTM A194 2H
Highly Abrasive Services	ASTM A216 WCB/WCC + Stellite Hard Facing	ASTM A216 WCB/WCC + Stellite Hard Facing	ASTM A322 4140	

Notes: Other Material combinations are available

Super LoMu Anti Friction Treatment (AFT) is always applied on plugs and stem to reduce friction

For small or flat parts, equivalent forged or plate grade is also widely used in lieu of castings

DIPV for Special Abrasive and Corrosive Services

DIPV plug valves are ideally suited to applications where the line media is abrasive or corrosive, even with standard materials. For very aggressive services, the internal surfaces of the valves can be hard faced or overlaid with a selection of alloys specially identified and tested by Serck Audco Valves. The choice of materials and surface treatments depends on the nature of the service. Hard facing and overlay can be applied to internal parts in four levels of increasing coverage:

- On the seating surfaces of plug and body only
- On all the surfaces of the body and plug tapers
- On all the surfaces of the body and plug tapers plus the body and plug flow bore
- On all wetted parts

The result is superior technical performance and dramatically extended valve life at an affordable cost.

We recommend that customers consider hard facing or overlay for severe applications, such as: sand entrained oil and gas production, water injection, high temperature catalyst conveying, slurry handling and transportation, etc.



Engineered Solutions

At Flowserve, we specialize in meeting customer specifications and find solutions for your particular installation requirements. We can install any type of actuator and in every orientation, and address any other special need



Different orientation of input shafts for accessibility



Classic configuration with dual gearbox



Customer agreed intermediate pressure classes, in this case 8000psig



Actuators to suit specification, pneumatic, electric, gas over oil

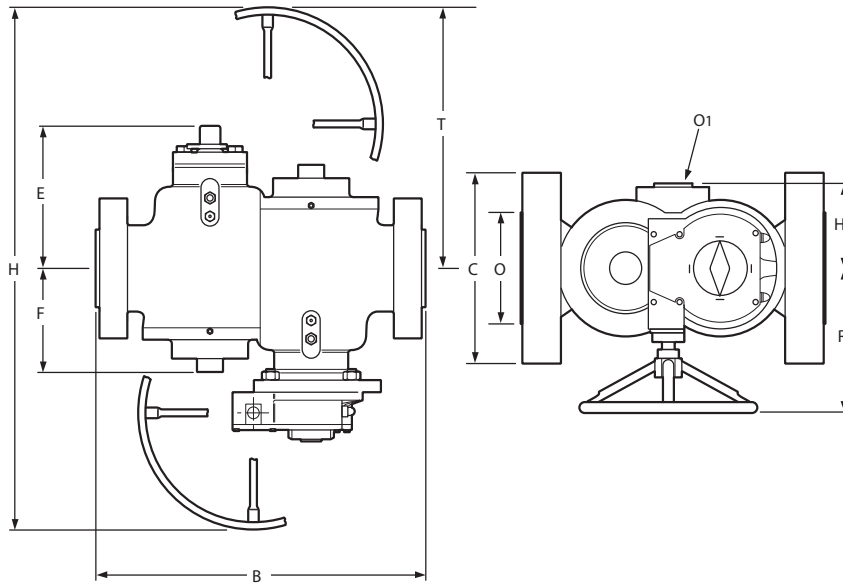


Re-arranged handwheels for horizontal installation adapted for powered operation



Hub Ends on High Pressure offshore applications

DIPV - Class 150



	50	80	100	150	200	250	300	350	400	450	500	600
B Face-to-face RF	292	356	432	559	660	788	838	889	991	1092	1194	1397
C Flange Diameter	165	242	273	318	343	407	483	534	597	635	699	813
	Flange Thickness (incl RF ht)											
	31.8	38.2	46	56	43	30	32	35	37	40	96	111
E Handwheel Diameter	200	200	200	250	300	450	400	300	300	400	500	500
F CL to top of Stem	215	237	252	300	392	419	451	480	483	523	633	690
H CL to bottom of Body Cap	124	148	175	205	297	319	368	410	399	413	509	489
H Height	620	630	654	824	1052	1266	1280	1210	1220	1446	1640	2240
O RF Diameter	92	127	157	216	270	324	381	413	470	533	584	692
T CL to top of Handwheel	310	315	327	412	526	633	640	605	610	723	820	1120
R CL to face of Handwheel	200	200	200	220	310	380	360	400	400	430	462	494
O1 Bleed Size	½"CL 150	½"CL 150	½"CL 150	½"CL 150	½"CL 150	1"CL 150	1"CL 150	1"CL 150	1"CL 150	1"CL 150	1"CL 150	1"CL 150
H3 CL to end of Bleed Flange Face	80	95	95	132	161	190	204	190	217	253	320	290
	Operating Torque											
	116	194.5	290	600	1150	1550	1900	2100	2300	3000	3850	5000
Weight (Approx)												
55	115	150	240	510	590	630	790	895	1120	2460	3555	

Notes:

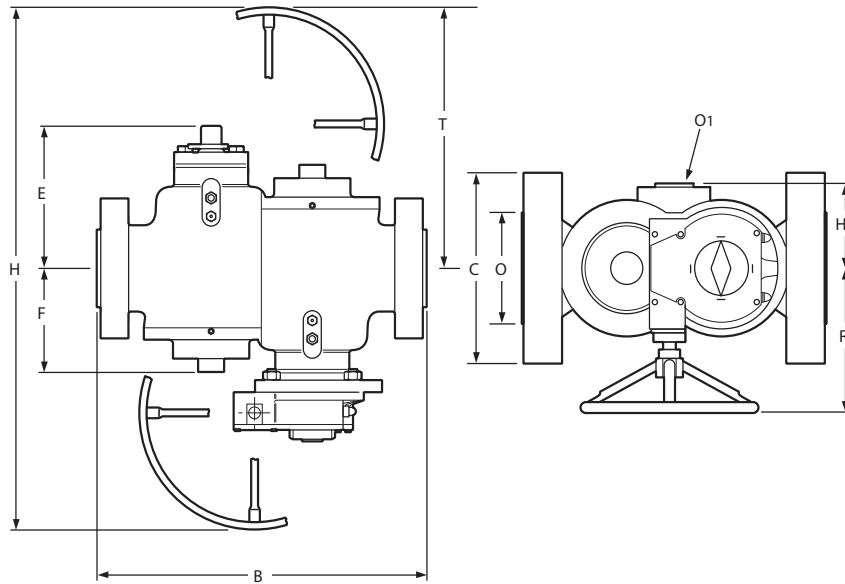
Dimensions in these tables are for standard valves and are subject to change. For layout purposes please request a drawing.

Torques displayed are for standard materials of construction at the plug stem, check with Serck Audco Valves if you need to carry out any actuator sizing

Weights are approximate and for barge stem valve

To maintain a compact face to face dimension, some size/pressure class combinations may contain tapped holes in flange connections. If tapped holes are not acceptable please contact Serck Audco, we can provide a suitable solution.

DIPV - Class 300



	50	80	100	150	200	250	300	350	400	450	500	600
B Face-to-face RF	292	356	432	559	660	788	838	889	991	1092	1194	1397
C Flange Diameter	165	242	273	318	381	445	535	604	648	712	813	940
	Flange Thickness (incl RF ht)											
	31.8	38.2	44	55	41	71	77	77	83	89	97	111
E CL to top of Stem	215	237	252	300	392	475	475	510	552	603	633	690
F CL to bottom of Body Cap	124	148	175	205	297	339	390	427	420	460	480	489
H Height	620	630	654	874	1052	1460	1626	1330	1490	1606	1454	2240
O RF Diameter	92	127	157	216	270	324	381	413	470	533	584	692
T CL to top of Handwheel	310	315	327	437	526	730	813	665	745	803	727	1120
R CL to face of Handwheel	200	200	200	240	310	476	500	430	460	430	460	494
O1 Bleed Size	½"CL 300	½"CL 300	½"CL 300	½"CL 300	¾"CL 300	¾"CL 300	¾"CL 300	1"CL 300	1"CL 300	1"CL 300	1"CL 300	1"CL 300
H3 CL to end of Bleed Flange Face	90	95	95	132	185	212	217	229	260	277	320	290
	Operating Torque											
	140	241	360	705	1400	1900	2350	2600	3200	3700	4800	6050
Weight (Approx)	55	115	150	243	536	834	992	1263	1483	1878	2715	3900

Notes:

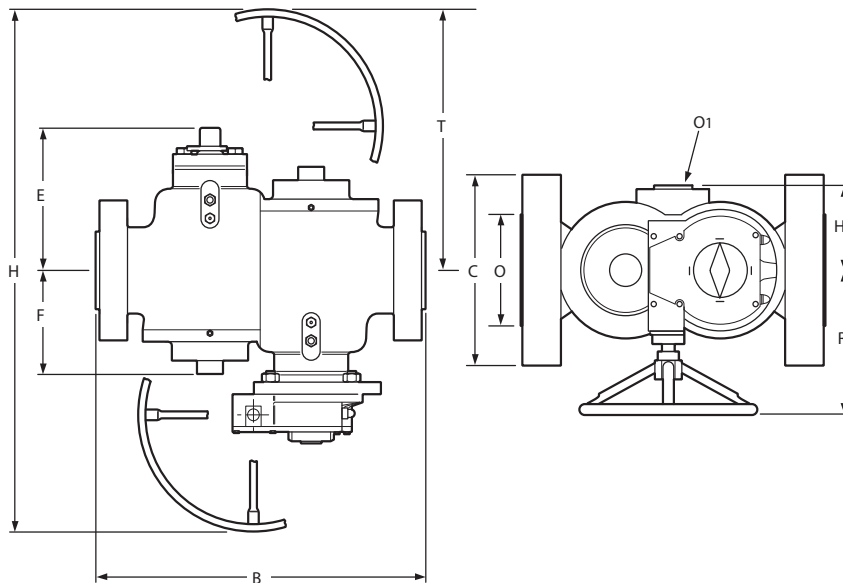
Dimensions in these tables are for standard valves and are subject to change. For layout purposes please request a drawing.

Torques displayed are for standard materials of construction at the plug stem, check with Serck Audco Valves if you need to carry out any actuator sizing

Weights are approximate and for barge stem valve

To maintain a compact face to face dimension, some size/pressure class combinations may contain tapped holes in flange connections. If tapped holes are not acceptable please contact Serck Audco, we can provide a suitable solution.

DIPV - Class 600



	50	80	100	150	200	250	300	350	400	450	500	600
B Face-to-face RF	292	356	432	559	660	788	838	889	991	1092	1194	1397
	295	359	435	562	663	791	841	892	994	1095	1200	1407
C Flange Diameter	165	242	273	356	419	508	559	604	686	743	813	940
	31.8	38.2	45	54	62	70	73	76	83	89	95	108
	34	48	47	56	64	72	75	78	84	90	98	113
	200	250	300	400	300	500	700	350	450	450	500	500
E CL to top of Stem	215	250	275	350	450	535	540	570	615	677	720	760
F CL to bottom of Body Cap	124	148	175	207	305	339	390	427	420	460	500	520
H Height	640	650	800	1070	1190	1560	1746	1456	1630	1640	1840	2392
O RF Diameter	92	127	157	216	270	324	381	413	470	533	584	692
	108	155	175	241	302	356	413	457	508	575	635	749
T CL to top of Handwheel	320	325	400	535	595	780	873	728	815	820	920	1196
R CL to face of Handwheel	200	200	248	331	456	476	500	430	460	480	480	620
O1 Bleed port Size (flanged RF/RTJ)	½" CL.600	½" CL.600	½" CL.600	½" CL.600	¾" CL.600	¾" CL.600	¾" CL.600	1" CL.600	1" CL.600	1" CL.600	1" CL.600	1" CL.600
H3 CL to end of Bleed Flange Face	90	95	95	132	185	212	217	229	260	277	337	290
	224	385	581	1100	2225	3100	3800	4150	5050	5900	7600	9600
	55	115	140	260	585	894	1030	1460	1555	1950	3600	3970

Notes:

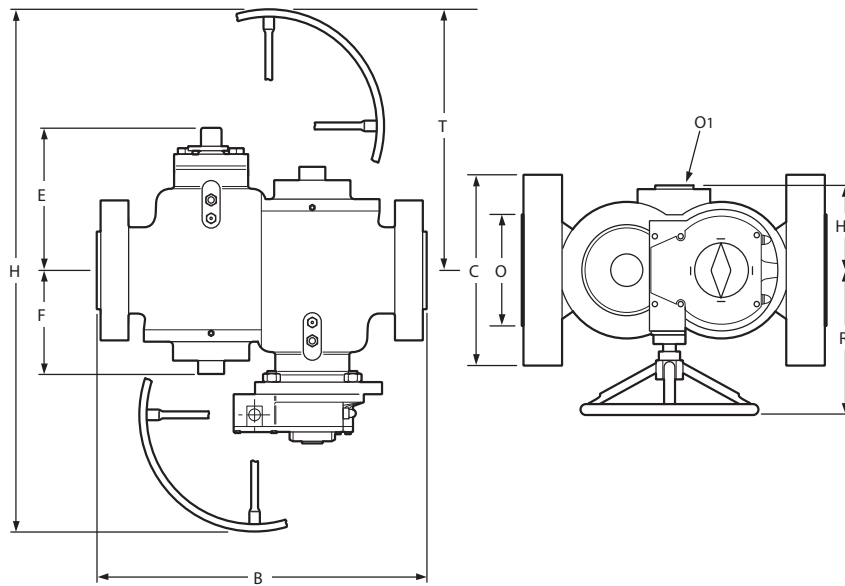
Dimensions in these tables are for standard valves and are subject to change. For layout purposes please request a drawing.

Torques displayed are for standard materials of construction at the plug stem, check with Serck Audco Valves if you need to carry out any actuator sizing

Weights are approximate and for barge stem valve

To maintain a compact face to face dimension, some size/pressure class combinations may contain tapped holes in flange connections. If tapped holes are not acceptable please contact Serck Audco, we can provide a suitable solution.

DIPV - Class 900



	50	80	100	150	200	250	300	350	400	450	500	600
B Face-to-face RF	369	381	457	610	737	838	965	1029	1130	1219	1321	1549
	372	384	460	613	740	841	968	1039	1140	1232	1334	1568
C Flange Diameter	216	242	293	381	470	546	610	642	705	787	857	1042
	45	47	53	62	70	76	88	94	96	108	115	146
	46	48	55	64	72	78	89	98	100	114	121	156
	200	300	300	350	300	450	520	350	500	*	450	*
E CL to top of Stem	247	284	320	382	483	555	568	575	766	*	780	*
F CL to bottom of Body Cap	140	160	180	220	310	350	417	417	495	*	520	*
H Height	632	828	920	782	1240	1480	1620	1480	2202	*	2340	*
O RF Diameter	92	127	157	216	270	324	381	413	470	533	584	692
	124	155	181	241	308	362	419	467	524	594	648	772
T CL to top of Handwheel	316	414	460	391	620	740	810	740	1101	*	1170	*
R CL to face of Handwheel	213	225	246	320	460	450	480	480	580	*	580	*
O1 Bleed port Size (flanged RF/ RTJ)	1/2 CL.900	1/2 CL.900	1/2 CL.900	1/2 CL.900	3/4 CL.900	3/4 CL.900	3/4 CL.900	1" CL.900	1" CL.900	1" CL.900	1" CL.900	1" CL.900
	103	103	117	150	190	199	261	261	310	*	360	*
H3 CL to end of Bleed Flange Face	103	103	117	150	190	199	261	261	310	*	360	*
Operating Torque	280	545	650	1280	2450	3450	5000	5000	6800	*	9600	*
Weight (Approx)	90	148	260	338	800	952	1560	1563	2550	*	4100	*

Notes:

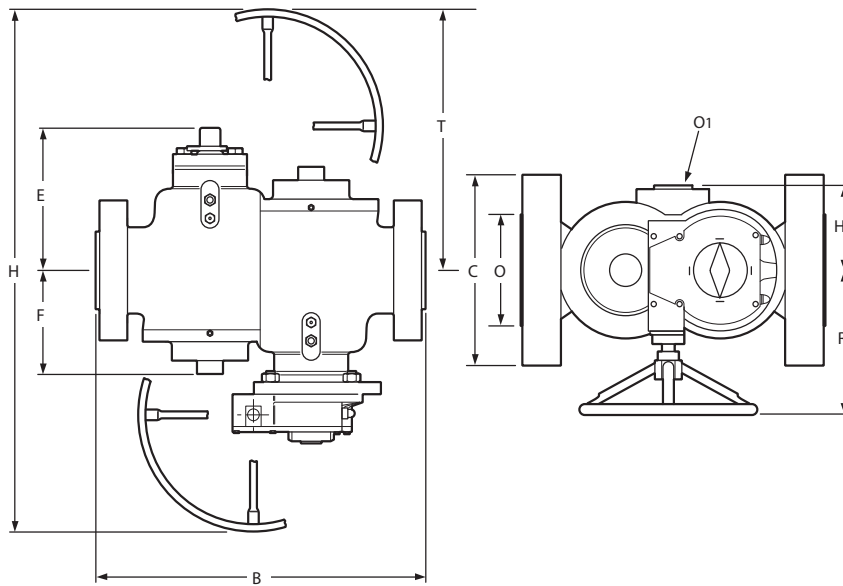
Dimensions in these tables are for standard valves and are subject to change. For layout purposes please request a drawing.

Torques displayed are for standard materials of construction at the plug stem, check with Serck Audco Valves if you need to carry out any actuator sizing

Weights are approximate and for barge stem valve

To maintain a compact face to face dimension, some size/pressure class combinations may contain tapped holes in flange connections. If tapped holes are not acceptable please contact Serck Audco, we can provide a suitable solution.

DIPV - Class 1500



	50	80	100	150	200	250	300	350	400	450	500	600
B Face-to-face RF	369	470	546	705	832	991	1130	1257	1384	1537	1664	1943
	372	473	549	711	841	1000	1146	1276	1407	1559	1686	1971
C Flange Diameter	216	267	312	394	483	584	673	750	826	914	984	1169
	45	54	60	92	99	115	131	140	153	169	184	210
	46	56	62	95	103	119	139	150	164	180	196	224
	250	350	350	300	300	400	500	500	500	500	*	*
E CL to top of Stem	247	295	308	395	385	500	530	635	790	740	*	*
F CL to bottom of Body Cap	140	175	195	240	292	350	394	394	535	535	*	*
H Height	632	908	984	1050	1030	1280	1668	1674	2260	2200	*	*
O RF Diameter	92	127	157	216	270	324	381	413	470	533	584	692
	124	168	194	248	318	371	438	489	546	613	673	794
T CL to top of Handwheel	316	454	492	525	515	640	834	837	1130	1100	*	*
R CL to face of Handwheel	213	225	265	416	416	460	490	494	420	420	*	*
O1 Bleed port Size (flanged RF/ RTJ)	1/2" CL.1500	1/2" CL.1500	1/2" CL.1500	1/2" CL.1500	3/4" CL.1500	3/4" CL.1500	3/4" CL.1500	1" CL.1500	1" CL.1500	1" CL.1500	1" CL.1500	1" CL.1500
	103	103	117	130	178	243	283	283	363	377	*	*
H3 CL to end of Bleed Flange Face	356	680	650	1600	2200	4750	4800	4800	8500	8500	*	*
Operating Torque	92	230	320	610	950	1515	2340	3200	4300	4720	*	*
Weight (Approx)												

Notes:

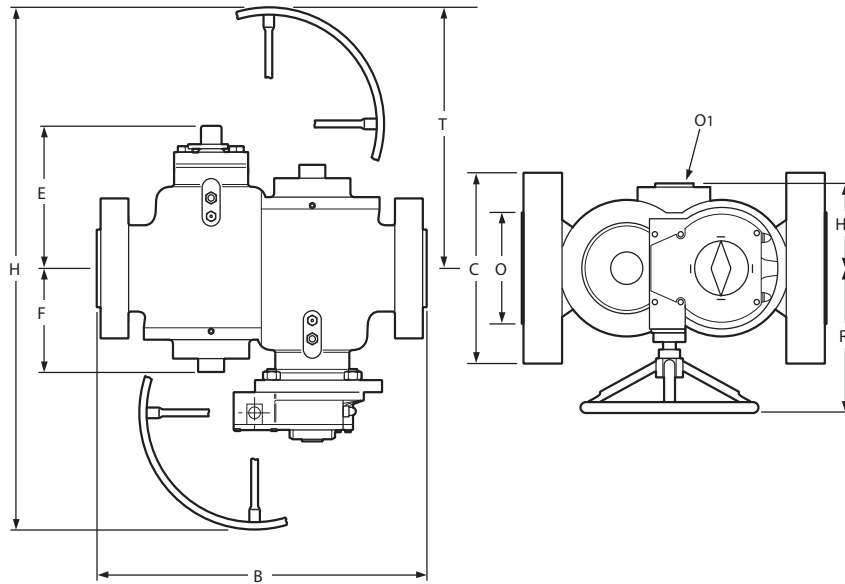
Dimensions in these tables are for standard valves and are subject to change. For layout purposes please request a drawing.

Torques displayed are for standard materials of construction at the plug stem, check with Serck Audco Valves if you need to carry out any actuator sizing

Weights are approximate and for barge stem valve

To maintain a compact face to face dimension, some size/pressure class combinations may contain tapped holes in flange connections. If tapped holes are not acceptable please contact Serck Audco, we can provide a suitable solution.

DIPV - Class 2500



		50	80	100	150	200	250	300	350-400
B	Face-to-face RF	451	578	673	914	1022	1270	1422	The dimensions for these sizes are not defined by standards and will be agreed with customer on request
	Face-to-face RTJ	454	584	683	927	1038	1292	1444	
C	Flange Diameter	235	305	356	483	553	673	762	
	Flange Thickness (incl RF ht)	58	73	83	115	134	172	191	
	Flange Thickness RF (incl RF ht)	59	76	88	121	142	183	202	
	Handwheel Diameter	250	400	400	400	350	457	*	
E	CL to top of Stem	291	338	416	480	600	533	*	
F	CL to bottom of Body Cap	161	210	240	295	354	385	*	
H	Height	814	1000	1220	1320	1426	1392	*	
O	RF Diameter	92	127	157	216	270	324	381	
	RTJ Diameter	133	168	203	279	340	425	495	
T	CL to top of Handwheel	407	500	610	660	713	696	*	
R	CL to face of Handwheel	225	331	430	480	460	484	*	
O1	Bleed Size	1/2" CL.2500	1/2" CL.2500	1/2" CL.2500	1/2" CL.2500	3/4" CL.2500	3/4" CL.2500	3/4" CL.2500	
H3	CL to end of Bleed Flange Face	92	125	154	192	205	265	*	
	Operating Torque	550	1525	2400	4000	5195	5195	*	
	Weight (Approx)	138	300	460	720	950	1800	*	

Notes:

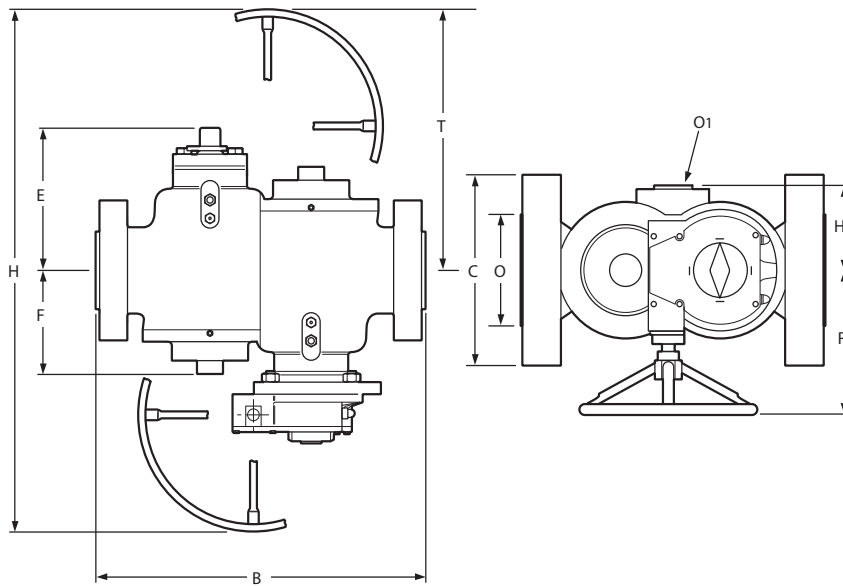
Dimensions in these tables are for standard valves and are subject to change. For layout purposes please request a drawing.

Torques displayed are for standard materials of construction at the plug stem, check with Serck Audco Valves if you need to carry out any actuator sizing

Weights are approximate and for barge stem valve

To maintain a compact face to face dimension, some size/pressure class combinations may contain tapped holes in flange connections. If tapped holes are not acceptable please contact Serck Audco, we can provide a suitable solution.

DIPV - API 2000 and 3000



	API 2000				API 3000				
	79 (3.1/8") Lever	79 (3.1/8") Gear	103 (4.1/16") Lever	103 (4.1/16") Gear	52 (2.1/16") Lever	52 (2.1/16") Gear	79 (3.1/8") Gear	103 (4.1/16") Gear	
B	Face-to-face RTJ	359	359	435	435	372	372	384	460
C	Flange diameter	210	210	273	273	216	216	242	292.5
D	Total flange thickness RTJ	39.7	39.7	46	46	46	46	46	52.4
E	CL to top of stem	240	255	275	284	230	225	288	315
F	CL to bottom of body/cap	152	152	178	178	152	152	162	184
G	Hand wheel diameter	-	300	-	400	-	300	400	400
H3	CL to Bleed flange face	95	95	95	95	103	103	103	117
J	Stem across flats	25.3	-	28.5	-	25.3	-	-	-
K	Depth of flats with stop plate	28	-	36	-	33	-	-	-
L	Depth of flats without stop plate	34	-	42	-	38	-	-	-
M	Stem diameter	35	34	41	35	32	34	35	40
N	RTJ diameter	146	146	174.7	174.7	123.9	123.9	155.4	181
O	CL to face of handwheel	-	228	-	265	-	250	260	315
P	CL Valve to CL Operating Spindle	-	66	-	85.5	-	66	85.5	128
Q	CL Valve to Top of Hand wheel	-	391	-	480	-	370	480	500
R	CL to end of fitted wrench	922	-	933	-	684	-	-	-
V	Bleed Port size - RTJ	1/2" CL.900	1/2" CL.900	3/4" CL.900	3/4" CL.900	1/2" CL.1500	1/2" CL.1500	3/4" CL.1500	3/4" CL.1500
	Weight (approx) kg	88	127	140	185	92	121	150	250
	Wrench number	B5L	-	B7	-	B5S	-	-	-

Notes:

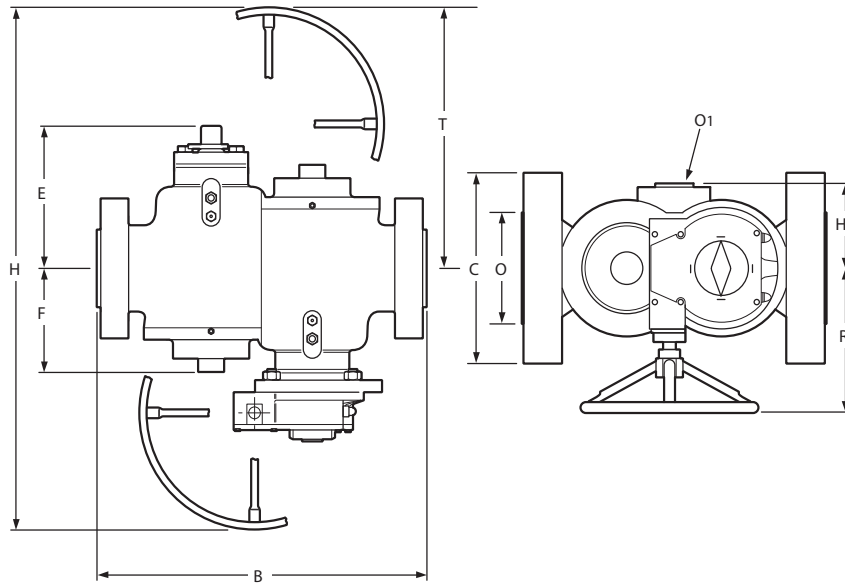
Dimensions in these tables are for standard valves and are subject to change. For layout purposes please request a drawing.

Torques displayed are for standard materials of construction at the plug stem, check with Serck Audco Valves if you need to carry out any actuator sizing

Weights are approximate and for barge stem valve

To maintain a compact face to face dimension, some size/pressure class combinations may contain tapped holes in flange connections. If tapped holes are not acceptable please contact Serck Audco, we can provide a suitable solution.

DIPV - API 5000 and 10,000



	API 5000		API 10000			
	79 (3.1/8") Gear	103 (4.1/16") Gear	46 (1.13/16") Gear	52 (2.1/16") Gear	78 (3.1/16") Gear	103 (4.1/16") Gear
B Face-to-face RTJ	473	549	Refer to SAV	Refer to SAV	Refer to SAV	Refer to SAV
C Flange diameter	267	311	185	200	270	315
D Total flange thickness RTJ	55.6	62	42.1	44.1	58.4	70.3
E CL to top of stem	280	308	-	-	-	-
F CL to bottom of body/cap	174	198	-	-	-	-
G Hand wheel diameter	400	400	-	-	-	-
H1 CL to Bleed port face	103	117	-	-	-	-
H3 Body width from CL	115	140	-	-	-	-
M Stem diameter	40	45	-	-	-	-
N RTJ diameter	168.2	193.6	105	111	152	185
O CL to face of handwheel	365	365	-	-	-	-
P CL Valve to CL Operating Spindle	128	128	-	-	-	-
Q CL Valve to Top of Hand wheel	480	500	-	-	-	-
V Bleed Port size - RTJ	1/2" CL.2500	3/4" CL.2500	Refer to SAV	Refer to SAV	Refer to SAV	Refer to SAV
Weight (approx) kg	270	320	-	-	-	-

Notes:

Dimensions in these tables are for standard valves and are subject to change. For layout purposes please request a drawing.

Torques displayed are for standard materials of construction at the plug stem, check with Serck Audco Valves if you need to carry out any actuator sizing

Weights are approximate and for barge stem valve

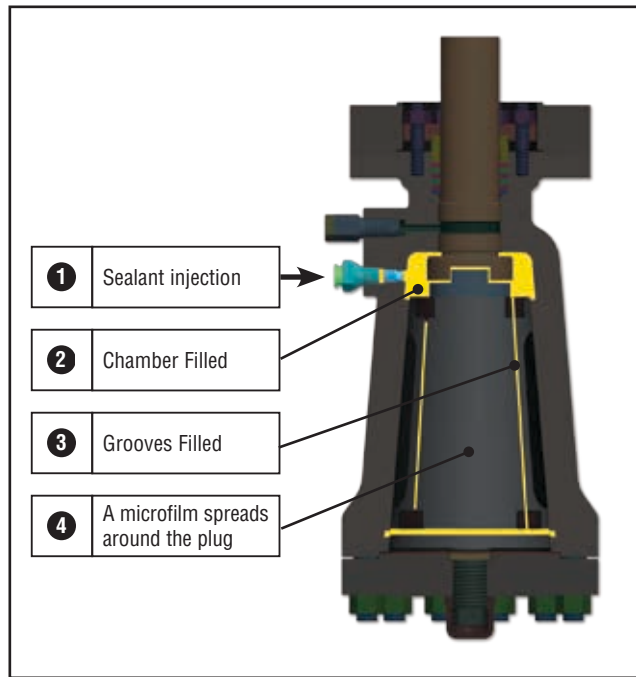
To maintain a compact face to face dimension, some size/pressure class combinations may contain tapped holes in flange connections. If tapped holes are not acceptable please contact Serck Audco, we can provide a suitable solution.

Sealants

Serck Audco DIPV valves are designed in a way that no spares will be required, the only minimal maintenance can be quickly done in-line and with the valve under pressure through sealant injection. Also, in comparison to other plug valve designs, the DIPV can guarantee zero leakage seal and smooth operation with minimal sealant injection frequency.

Serck Audco Sealants are high viscosity fluids, specially produced to seal and lubricate plug valves. Only Serck Audco sealants should be used in Serck Audco valves unless authorized by us. The use of a sealant or commercial greases not recommended by us can impair the functioning of the valve and in the worst case seize it completely.

Sealant is injected into the DIPV to ensure valve tight shut-off and maintain low torque. Serck Audco sealants have excellent lubricating properties and great film strength. They supplement Super LoMu treatment to reduce friction between the seating surfaces and provide a very effective seal, even at higher line pressures.



Sealants should be selected based on service media and operating temperature. The tables below summarize our general sealant recommendations. Sealant should be carefully selected since the use of the correct Serck Audco Sealant will minimize injection frequency. The tables are self explanatory, however, if in doubt regarding sealant selection, Serck Audco can suggest a suitable sealant against service details.

Multi-Purpose Sealants

Serck Audco Valves research pays careful attention to the development of multi-purpose sealants to simplify plant maintenance where many services are encountered. As a result, we are able to offer three sealants which cover a very wide variety of services and have replaced many of the older Serck Audco sealants. A single multi-purpose Serck Audco sealant can often be used throughout an entire plant, often handling a variety of fluids. This simplifies maintenance and reduces the number of sealants which need to be kept.

Sealant	Form	Color	Temp Range °C (°F)		Recommended for	Do not use on
			Min	Max		
733	K Sticks Cartridges Bulk	Cream	-20 (-5)	250 (480)	Most Hydrocarbon services, Butane, propane, gasoline, kerosene, oils, fuel oils, most hydrocarbon solvents. Sweet and sour natural and manufactured gas with water organic condensates, LPG systems, glycols	Strong alkali and high aromatic and chlorinated solvents
735	K Sticks Hard grade Bulk only	Black	-46 (-51)	325 (620)	Premium Multipurpose Sealant suitable for a range of fluids including hydrocarbon, water, amines and methanol Suitable for high / low temperature applications	Neat petroleum products Strong mineral acids Chlorinated and aromatic acids
731	K Sticks Cartridges Bulk	Cream	-15 (0) -20 (-5) -25 (-13)	230 (450) 230 (450) 230 (450)	Most chemical plant services, compressed air, water, aqueous solutions, dilute acids, all alkaline solutions tars and bitumens	Strong acid solutions, hydrocarbons, chlorinated and aromatic solvents

Specialized Sealants

Even though our multipurpose sealants can cover most applications, we can still supply our range of specialized sealants for those customers who prefer to use them.

Sealant	Form	Color	Temp Range °C (°F)		Recommended for	Do not use on
			Min	Max		
985M	K Sticks Cartridges Soft grade Bulk only	Light Brown	-10 (12)	150 (300)	Sweet and sour natural and manufactured gas with water/organic condensates Preferred at elevated temperatures	As 733
201	K Sticks Cartridges Bulk	White	-7 (-20)	200 (390)	Domestic water services, foodstuffs and pharmaceuticals	As 731
147	K Sticks Cartridges Bulk	White	-10 (14)	70 (160)	Nitrating acids, sulphuric acid and other oxidising elements	Hydrocarbon chlorinated and aromatic solvents
734	K Sticks Cartridges Bulk	Cream	0 (32)	170 (340)	Water, high pressure, hot water and steam	As 731
591	K Sticks Cartridges Bulk	Cream	0 (32)	300 (570)	Petroleum based heat transfer oils. Hot fuel oil to 120°C	As 733
608	K Sticks Cartridges Bulk	Off White	0 (32)	340 (650)	Hot hydrocarbon gases and vapours including high temperature cracking and reforming Strong acids and alkalis to 150°C	Aromatic and chlorinated solvents Liquid hydrocarbons and nitrating acids
733LT	K Sticks Cartridges Bulk	Brown	-30 (-20) -46 (-50)	150 (300) 100 (200)	As for 733, but particularly useful at lower temperatures and winter conditions	As for 733
574	Cartridges Soft grade Bulk only	Beige	-50 (-58)	50 (120)	Ammonia and brine	As 731
2977	K Sticks Cartridges Soft grade Bulk only	Black	-40 (-40)	325 (620)	As for 735, also oil and water mixtures where water content is above 50% in the mixture	As 735

Sealant Injection Equipment

To ensure sealant injection is a quick and easy operation, all DIPV pressure balanced plug valves are fitted with giant button head sealant injectors positioned as a side feed in the body. All injection equipment is fitted with flexible hoses giving a hook-on connection to the sealant injectors on the valve, enabling a safe set up for the injection operation in just a few seconds.

The sealant injection equipment is specialized high pressure equipment and no other injection tools shall be used unless with our express recommendation.

400-D Sealant Gun

Hand operated hydraulic gun, fitted with a pressure gauge. Suitable for small number of valves or valves in remote locations, this gun is designed to take Size 'K' sealant sticks.

Effortless to operate, the 400D gives positive indication of when a valve has been fully charged.

The 400D replaces the now obsolete ALG4 gun. Cartridges for use with ALG4 gun are still available.



Pneumatic Pump

Trolley mounted, pneumatically operated large capacity injector pump. Suitable for large numbers or sizes of valves, the pump is designed to take five Quarter sealant cans. The pump will run when connected to an air supply that could be a compressed air system or an air bottle.

Automatic Sealant Injection System

Sealant Injection is generally an infrequent operation, so in most cases standard sealant injection equipment is the most effective option to maintain plug valves. However, for remote locations where sealant injection would be difficult or for specific applications where the media is extremely severe or the valve is cycled with very high frequency, SAV has developed a versatile Automatic Sealant Injection System that can inject sealant at user specified frequency.

Sealants Packaging

Sealant is packed in different forms to enable its use with the different available injection equipment.

Sealants Packaging	K Sticks – Box of 12	Cartridges – Box of 12	5 Quarter Can
For Use on	400D Sealant Gun	ALG4 Gun (superseded)	10-90 Pneumatic Pump
Stick Size (mm)	35ø x 240	50ø x 220	192ø x 203
Box Size (mm)	150 x 180 x 280	165 x 205 x 245	n/a
Box Weight (Kg)	4	5.2	5

Weights will vary from those shown over a range of approximately 20-30% according to grade of sealant. Sealant can also be purchased in bulk large containers of 18Kg, 80Kg and 180Kg.

Serck Audco Stem Packing Compound

Serck Audco Stem Packing Compound is a special graphite based material prepared in stick form for easily sealing the stems of our DIPV valves. At any time and even with the valve under full pressure the stem packing can be re-injected to restore original stem tightness.

Stem packing is not sealant and must under no circumstances be used in the valve sealant system. Also, valve sealants are not suitable for sealing stems. Stem packing compound is supplied packed in boxes as follows:

Stick Size	A	B	D
Suitable for valves in sizes	½" – 1"	1 ½" – 2"	≥3"
Number of Sticks per Container	40	24	24
Box Size (mm)	70ø x 60	70ø x 60	70ø x 150
Box Weight (Gr)	100	100	330

The Products of Success

Super-H Pressure Balanced Plug Valve



A high pressure plug valve, achieving exceptional reliability on both leak tightness and operability. The valve ensures long-term line and atmospheric sealing, minimizes routine maintenance, and is fire tested to API6FA.

Materials: Carbon Steel, Alloy Steel, Duplex Stainless Steel and Special Materials

Sizes: 15 to 1050mm

Pressures: Up to 690 barg (10000 psig) Maximum Cold Working Pressure

Temperatures: -46°C to +325°C

Ratings: ANSI 150-2500, API 2000, 3000, 5000 and 10000

Double Isolation Plug Valve (DIPV)



DIPV gives all the advantages of our pressure balanced plug valve but also provides a double block and bleed system with true double isolation and two independent obturators in an extremely compact form.

In the DIPV, the plugs are mounted in inverse orientation to obtain the maximum port area

Materials: Carbon Steel, Alloy Steel, Duplex Stainless Steel and Special Materials

Sizes: 15 to 600mm

Pressures: Up to 690 barg (10000 psig) Maximum Cold Working Pressure

Temperatures: -46°C to +325°C

Ratings: ANSI 150-2500, API 2000, 3000, 5000 and 10000

Twin Isolation Plug Valve (TIPV)



TIPV gives all the advantages of our pressure balanced plug valve but also provides a double block and bleed system with true double isolation and two independent obturators in an extremely compact form.

In the TIPV, the plugs are mounted in same orientation to facilitate installation on particular plant layouts

Materials: Carbon Steel, Alloy Steel, Duplex Stainless Steel and Special Materials

Sizes: 15 to 600mm

Pressures: Up to 690 barg (10000 psig) Maximum Cold Working Pressure

Temperatures: -46°C to +325°C

Ratings: ANSI 150-2500, API 2000, 3000, 5000 and 10000

Full Bore Plug Valve (FBPV)



Based on the Super-H valve design, the FBPV is designed for extremely abrasive applications where valves are required to be piggable, and turbulence or obstruction to the flow path is not allowed.

Materials: Carbon Steel, Alloy Steel, Duplex Stainless Steel and Special Materials

Sizes: 15 to 600mm

Pressures: Up to 690 barg (10000 psig) Maximum Cold Working Pressure

Temperatures: -46°C to +325°C

Ratings: ANSI 150-2500, API 2000, 3000, 5000 and 10000

Steam Jacketed Plug Valve



For all applications where the media needs to be maintained at elevated temperatures and metal to metal seats are required, such as molten sulphur, the SAV steam jacketed plug valve provides the best solution.

Also suitable for high pressures, it will be supplied with oversized flanges for full jacket option.

Materials: Carbon Steel and Special Materials if required

Sizes: 50x25x50 to 300x250x300mm (higher sizes upon request)

Pressures: Up to 690 barg (10000 psig) Maximum Cold Working Pressure

Temperatures: -46°C to +325°C

Ratings: ANSI 150-2500, API 2000, 3000, 5000 and 10000



Serck Audco Valves
a division of Flowserve GB Ltd
Burrell Road, Haywards Heath
West Sussex RH16 1TL
United Kingdom
Telephone: +44 (0)1444 314560
Telefax: +44 (0)1444 314561
Email: savukinfo@flowserve.com

FCD SRENTB0001-04-A4 Printed in the USA 02/17

To find your local Flowserve representative

or for more information about Flowserve Corporation,
visit www.flowserve.com or call USA 1 800 225 6989

Flowserve Corporation has established industry leadership in the design and manufacture of its products. When properly selected, this Flowserve product is designed to perform its intended function safely during its useful life. However, the purchaser or user of Flowserve products should be aware that Flowserve products might be used in numerous applications under a wide variety of industrial service conditions. Although Flowserve can (and often does) provide general guidelines, it cannot provide specific data and warnings for all possible applications. The purchaser/user must therefore assume the ultimate responsibility for the proper sizing and selection, installation, operation, and maintenance of Flowserve products. The purchaser/user should read and understand the Installation Operation Maintenance (IOM) instructions included with the product, and train its employees and contractors in the safe use of Flowserve products in connection with the specific application.

While the information and specifications contained in this literature are believed to be accurate, they are supplied for informative purposes only and should not be considered certified or as a guarantee of satisfactory results by reliance thereon. Nothing contained herein is to be construed as a warranty or guarantee, express or implied, regarding any matter with respect to this product. Because Flowserve is continually improving and upgrading its product design, the specifications, dimensions and information contained herein are subject to change without notice. Should any question arise concerning these provisions, the purchaser/user should contact Flowserve Corporation at any one of its worldwide operations or offices.

© 2014 Flowserve Corporation, Irving, Texas, USA. Flowserve is a registered trademark of Flowserve Corporation.